



Southern Tier
Technologies

Tier 460 Motor Contactor Restart Only

With Active Monitoring & Control
30 Amp Model

Features:

Monitoring & Control

- Monitor Under/Over voltage, Phase Loss, Imbalance
- Active Load Disconnect & Reset
- User Selectable Controls:
- +/- 5, 7.5, 10, 15, 20, 25% Over/Under Voltage Trip Settings
- Auto restart available with user selectable reset time. Includes: No delay, 5s, 10s, 30s, 1m, 5m, 10m, No restart

Why Install a contactor auto disconnect and reconnect?

Transient impulses can significantly impact your facility's power quality, easily disrupting or damaging your process or equipment. And while its important to protect against high-energy events, a more frequent, yet often overlooked power quality concern is the damage caused by a phase loss, a temporary voltage sag or a voltage swell condition. Disconnecting your sensitive loads during these longer duration PQ events, is the easiest way to safeguard important equipment.

Innovative Solutions for Clean, Reliable Power



Tier 460 Motor Contactor Restart Only

With Active Monitoring & Control
30 Amp Model

Why Install a contactor with an auto disconnect and reset feature?

The Tier 460 Terminal Block Motor Protection Contactor Restart Only Device will protect a motor, or an entire system, from power quality events. It runs an onboard contactor in series with the load and the system or motor. The contactor will disconnect the load at predetermined levels, and will reconnect the load at separate predetermined levels automatically.

This model has a 30 Amp Contactor Current Rating. For a higher current rated contactor, contact the factory.

General Technical Specifications

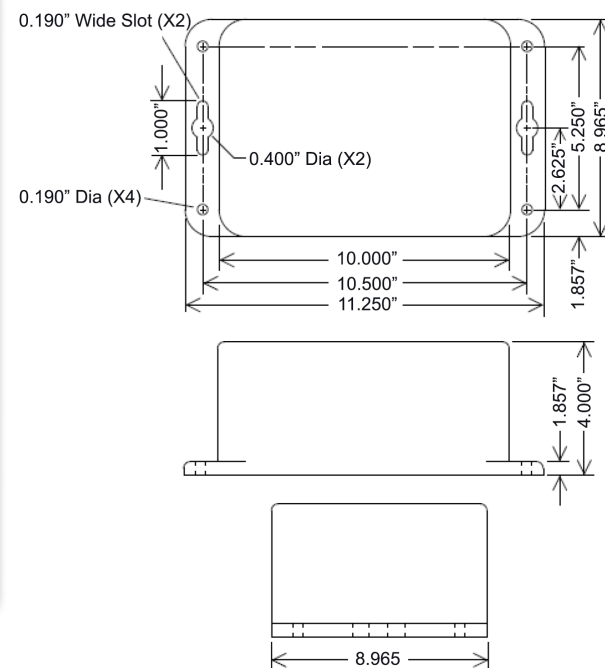
Connection Type	Series
Surge Short Circuit Current Rating (SCCR)	22kAIC
Contactor Current Rating	30 Amp
Protection Modes	All Lines and Neutral
Operating Frequency Range	60 Hz
Connection	Terminal Block
Status Indication	Green Power LED, Blue Active System LED, Audible Alarm w/disable switch
Monitoring	Under/Over Voltage, Phase Loss, Phase Imbalance
Enclosure	NEMA 4X Indoor/Outdoor Rated (Polycarbonate)
Operating Temperature	-40°C to +75°C
Operating Humidity	0% to 95% non-condensing
Weight	5lbs
Contactor Only Case Size	8.965" x 10.00" x 4.000"
Contactor Only Case Size w/ Mount	8.965" x 11.25" x 4.000"
Selectable Over/Under Voltage Trigger Levels	+/- 5%, 7.5%, 10%, 15%, 20%, 25%
Contactor Options for Auto Reset	Selectable resets: No Delay, 5s, 10s, 30s, 1m, 5m, 10 m, No Restart
Warranty	10 years

Voltage & Source Configuration

Model Code	Voltage	Source Configuration
0000	N/A	N/A

Surge Current Capacity

Model Code	Surge Capacity /Mode	Surge Capacity /Phase
000	N/A	N/A





Southern Tier
Technologies

Tier 460 Motor Contactor Restart Only

With Active Monitoring & Control
30 Amp Model

Table A: Voltage & Source Configuration

Model Code	Voltage	Source Configuration
0000	N/A	N/A
120S	120/240	Split Phase, 3W+G (L1, L2, N, G)
120N	120	Single Phase, 2W+G (L1, N, G)
120Y	120/208	Three Phase Wye, 4W+G (L1, L2, L3, N, G)
208N	208	Single Phase, 2W+G (L1, L2, G)
240N	240	Single Phase, 2W+G (L1, L2, G)
240D	240	Three Phase Delta, 3W+G (L1, L2, L3, G)
277Y	277/480	Three Phase Wye, 4W+G (L1, L2, L3, N, G)
480D	480	Three Phase Delta, 4W+G (L1, L2, L3, N, G)

Table B: Surge Current Capacity

Model Code	Surge Capacity /Mode	Surge Capacity / Phase
000	N/A	N/A
025	25 kA	50kA
050	50 kA	100 kA
075	75 kA	150 kA
100	100 kA	200 kA
125	125 kA	250 kA
150	150 kA	300 kA

Table C: Enclosure Size

Model Code	Dimensions	Capacity	Enclosure Material	Contact Current or Shunt Trip Supply Volt
2	13.50" x 13.00" x 6.375"	25kA	Steel	30 or 60 Amp
5	8.695" x 11.25" x 4.000"	25kA	Polycarbonate	30 Amp; or 24V or 120V or 277V supply voltage
3	16.00" x 16.00" x 8.00"	50kA-150kA	Steel	30 or 60 Amp; or 24V or 120V or 277V supply voltage
5	8.695" x 11.25" x 4.000"	None	Polycarbonate	30 Amp Contactor only

Table D: Contactor Current or Shunt Trip Supply Voltage

Model Code	Contact Current	Supply Voltage
3	30 Amp	120 Volt
6	60 Amp	120 Volt
A	None	24 Volt
B	None	120 Volt
C	None	277 Volt
S	Custom	Custom

Tier460 Motor Protection Series, 460 Family Ordering Information: Example Model Number: T46000000NRP5NS3

Positions: 1-3	Positions: 4-7	Positions: 8-10	Position: 11	Position: 12	Position: 13	Position: 14	Position: 15	Position: 16	Position: 17
Product Family	Voltage/ Phase Configuration	Surge Capacity	Surge Protected Modes	Connection Type	Enclosure Type	Enclosure Size	UL Type	Options	Contact Current or Shunt Trip Supply Voltage
T46 = 460 Family	See Table A	See Table B	A = All connected modes N=No Surge	W = Wire Lead L = Terminal Block D = Disconnect R = Line Cord Receptacle	P=NEMA 4X; Polycarbonate M=NEMA 4; Steel	See Table C	1=UL Type 1 2=UL Type 2 N=No Surge	S = Standard /No Options C = Surge Center	See Table D